



Table lamp RM031

ROBERTA MOLteni x BROSSIER SADERNE

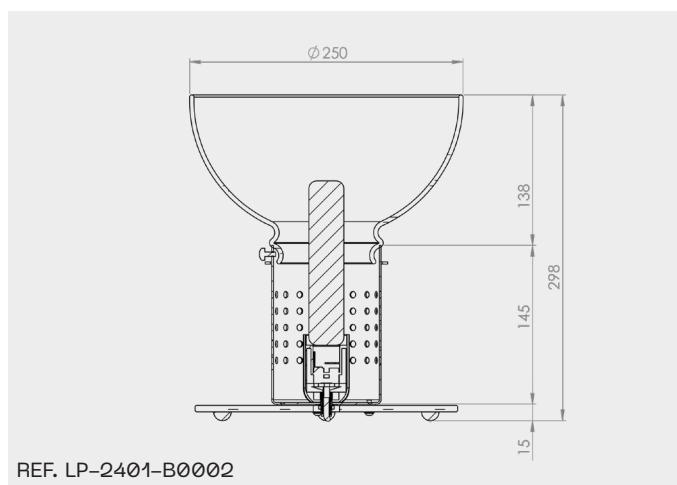
ROBERTA MOLteni STUDIO



Designed by architect Roberta Molteni, RM031 is composed of three geometric shapes: a half-sphere in opaline glass, a perforated cylinder in polished brass and a base in black lacquered glass.

The light source in the perforated cylinder projects luminous patterns, while the opaline glass bowl diffuses a delicate and diaphanous light.

RM031 is made in France, in the Brossier Saderne factory.



TECHNICAL SPECIFICATIONS

FEATURES		TECHNICAL DATAS
Reflector in opaline glass and perforated shaft in polished brass Light source included Switch on twisted textile cord in olive black colour		E27 light bulb included 5W filament lamp 2200°K 360Lm UGR <16 Switch on textile cord IP20 - Class II
FINISHES & MATERIALS	DIMENSIONS (mm)	
<p>polished brass black lacquered glass opaline glass</p>	Height: 298 Diameter: 250	